

# Antenna Satellite Controller

## For Earth stations

### Antenna Control Unit

Model Type: **ASC0005D**

The Antenna Satellite Controller, ASC0005D type, has been designed to command the movement of antennas on three axes. Ease of use and high level of automation, mean the system can be used by both expert and non-expert operators.

The device has been designed for use on the earth station system; mechanical dimensions are 1U rack.

The control panel consists of six buttons, four for selection, one for confirmation (ENTER) and one to exit and go back (ESC). It allows direct command of antenna movement along 3 axes, with the 16bit or 13bit Optical Encoder (depending on the antenna system).



©Antech S.p.A., 2007 The copyright of this document is property of Antech S.p.A. This document is issued in confidence for the exclusive purpose for which it is supplied. It must not be reproduced, in whole or in part, or used for tendering or manufacturing purposes, except under an agreement or with the prior consent in writing of Antech S.p.A.. For service assistance please contact: Antech S.p.A. Via V.E. Orlando, 7 95037 S.G. La Punta (Catania) Italy Tel. +39 095 7417400 Fax +39 095 7513799 E-mail info@antech.it

**Antenna control unit**  
**ASC0005D**

# Antenna Satellite Controller

## For Earth stations

### Antenna Control Unit

Model Type: **ASC0005D**

Mechanical Specification	
Primari power requirements:	230V AC +/-10%, 50Hz to 60Hz, 80VA max
Mechanical construction:	1U 19" standard rack, 350mm deep
Weight	2 Kg
Temperature	0° C to 50°C operating, -40°C to 85°C storage
Relative humidity	0 to 90% operating, 0 to 95% storage
MTBF	150000h
Technical Specification	
<b>Functional</b>	
The liquid crystal display indicates:	
The azimuth angle	0°/359.99°
The elevation angle	-9.9°/99.9°
The polarization angle	0°/90° H/V
The satellite beacon signal received	0.0/.9.9V (can be set to other values)
The no-beacon signal	Alarm (A)
Selection from the control panel are:	
1. Standby	
2. Manual	
3. Preset	
4. Tracking	
5. Beacon calibration	
6. Host CFG	
There are also two trimmers on the front panel to adjust gain and offset, a fuse holder with a 1A fuse and the power supply switch	
<b>Interface</b>	
Remote control	RS232- RS422 through DB9-F connector
Motors command	Through 10 pin MIL female connector (for Azimuth, Elevation and Polarisation)
Beacon signal	Through DB9-F connector
Optical elevation encoder	Through DB25-F connector



©Antech S.p.A., 2007 The copyright of this document is property of Antech S.p.A.. This document is issued in confidence for the exclusive purpose for which it is supplied. It must not be reproduced, in whole or in part, or used for tendering or manufacturing purposes, except under an agreement or with the prior consent in writing of Antech S.p.A.. For service assistance please contact: Antech S.p.A. Via IGE, Orlando, 7 95037 S.G. La Punta (Catania) Italy Tel. +39 095 7417400 Fax +39 095 7513799 E-mail info@antech.it

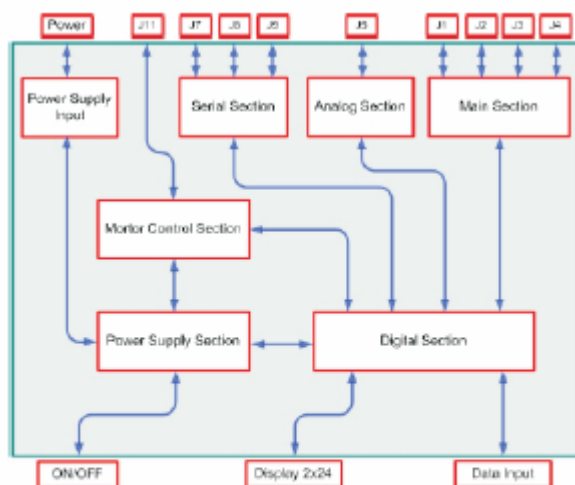
Antenna control unit  
ASC0005D

## Antenna Satellite Controller For Earth stations

### Antenna Control Unit

Model Type: **ASC0005D**

Optical azimuth encoder	Through DB25-F connector
Optical polarisation encoder	Through DB25-F connector
Polarisation potentiometer	Through DB25-F connector
Dry contacts	From axis switches limit and from panic button – through DB25-F connector



- J1 - Limit DB25S (Dry Contact)
- J2 - Encoder Polarization DB25S
- J3 - Encoder Elevation DB25S
- J4 - Encoder Azimuth DB25S
- J5 - Beacon Signal DB9S
- J6-J8-J10 - Not used
- J7 - GPS (optional)
- J9 - Remote Control DB9S
- J11 - Motor Command JM F 10 poles

**Antech Spa**  
 San Giovanni La Punta  
 Catania (Italy)  
 Tel/fax: +39 095  
 741.74.00  
 +39 095 751.37.99  
 www.antech.it  
 info@antech.it



©Antech S.p.A., 2007 The copyright of this document is property of Antech S.p.A. This document is issued in confidence for the exclusive purpose for which it is supplied. It must not be reproduced, in whole or in part, or used for tendering or manufacturing purposes, except under an agreement or with the prior consent in writing of Antech S.p.A.. For service assistance please contact: Antech S.p.A. Via V.E. Orlando, 7 95037 S.G. La Punta (Catania) Italy Tel. +39 095 7417400 Fax +39 095 7513799 E-mail info@antech.it

**Antenna control unit**  
**ASC0005D**